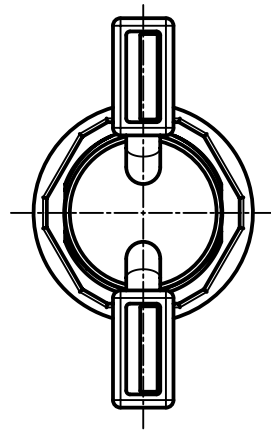
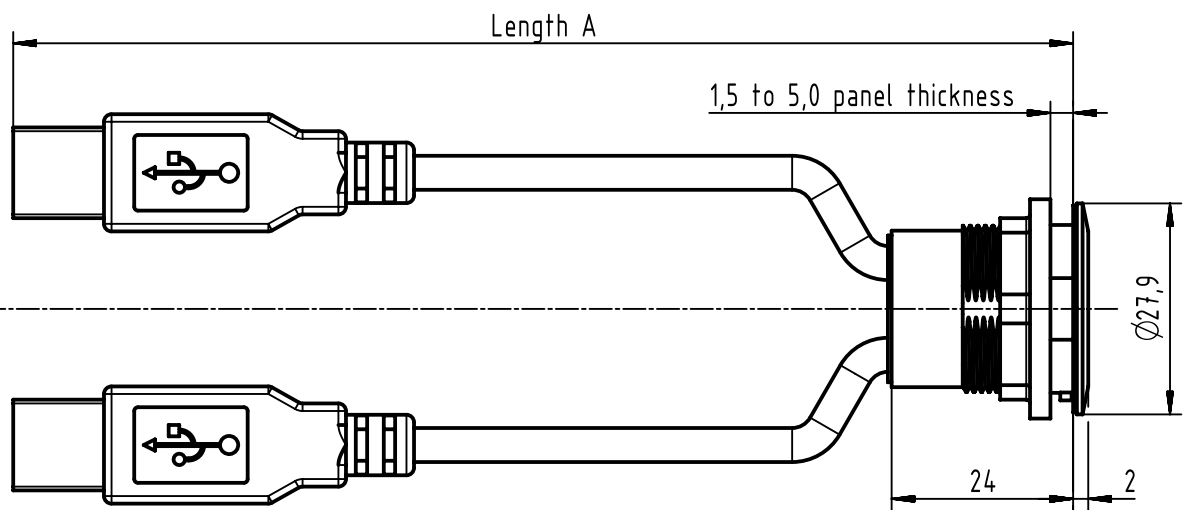


A

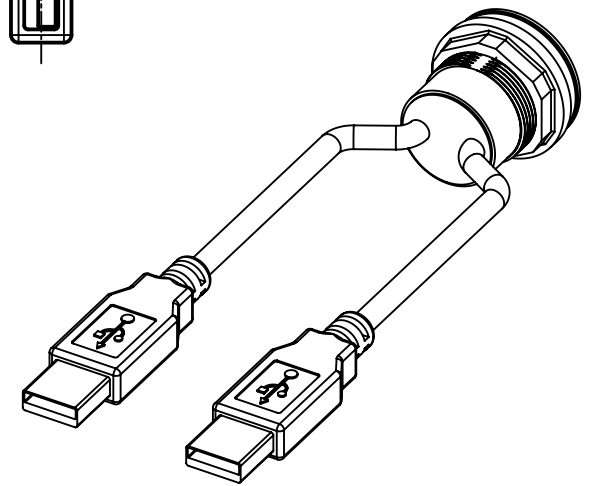
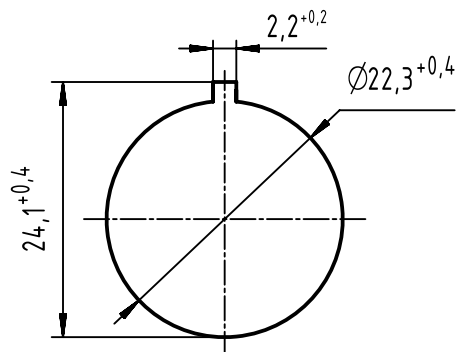
B

C

D



PANEL CUT DIMENSIONS



| Length A | Part number    |
|----------|----------------|
| 500mm    | 09 45 452 1950 |
| 1000mm   | 09 45 452 1951 |
| 1500mm   | 09 45 452 1952 |
| 2000mm   | 09 45 452 1953 |
| 3000mm   | 09 45 452 1954 |
| 5000mm   | 09 45 452 1955 |

|   |   |  |                          |                             |  |                        |
|---|---|--|--------------------------|-----------------------------|--|------------------------|
|   | All rights reserved<br>Department EL PD | All Dimensions in mm<br>Original Size DIN A4 |                          | Scale<br>1:1                | Free size tol.   | Ref.                   |
|   |   | Created by<br>BALSAN                         | Inspected by<br>PRIESTER | Standardisation<br>HOFFMANN | Date<br>2019-08-26                                       | State<br>Final Release |
| HARTING Electronics GmbH<br>D-32339 Espelkamp |   | Title<br>har-port 2xUSB 2.0 A-A              |                          |                             | Doc-Key / ECM-Nr.<br>100536556/UGD/001/C<br>500000154387 |                        |
|   |   | Type<br>TB                                   | Number<br>0945452195X    |                             | Rev.<br>C  | Page<br>1/1            |